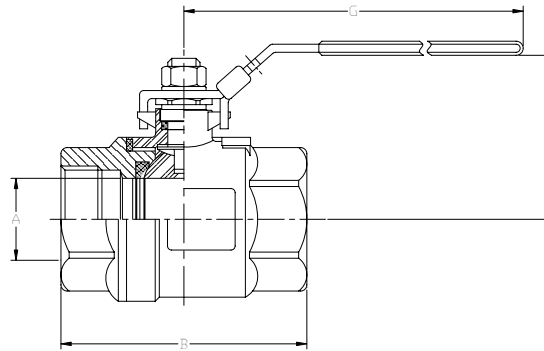
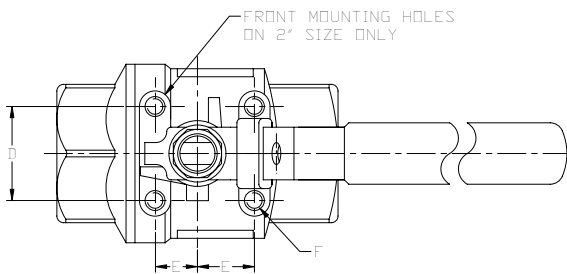


- Seal Welded body and tailpiece
- 2000 PSI rating on all sizes
- All stainless steel construction
- Locking handles standard
- Mounting holes standard on all sizes
- Ideal for suction, pressure and return lines
- Available in NPT & SAE threads



Model Code:

MV2B **N** **1/2"** -2T

Thread type (**N**-NPT; **S**-SAE)

Thread size (Ex. **N1/2"**; **S#8**)

SIZE	A	B		C	D	E	F UNC	G
		NPT	SAE					
1/4"	.43	2.41	2.41	2.11	1.12	.49	10-24	4.06
3/8"	.49	2.41	2.41	2.22	1.12	.49	10-24	4.06
1/2"	.59	2.57	2.67	2.17	1.12	.49	10-24	4.06
3/4"	.79	3.20	3.36	2.60	1.12	.49	10-24	5.00
1"	.98	3.78	3.74	2.80	1.38	.91	1/4-20	5.00
1-1/4"	1.26	3.95	4.15	3.50	1.48	1.00	1/4-20	6.02
1-1/2"	1.57	4.66	4.66	3.62	1.48	1.00	1/4-20	6.02
2"	2.00	5.44	5.44	4.21	1.50	1.00	1/4-20	7.60

COMPONENT MATERIALS		
COMPONENT	MATERIAL	QTY
VALVE BODY	ASTM A351 Gr CF8M	1
TAILPIECE	ASTM A351 Gr CF8M	1
BALL	ASTM A351 Gr CF8M	1
STEM	316	1
BALL SEAT	PTFE	2
STEM SEAT	PTFE	1
STEM PACKING	PTFE	1
STEM GLAND	304	1
HANDLE	304	1
STEM LOCK WASHER	304	1
STEM NUT	304	1
HANDLE SLEEVE	VINYL	1
LOCK	304	1