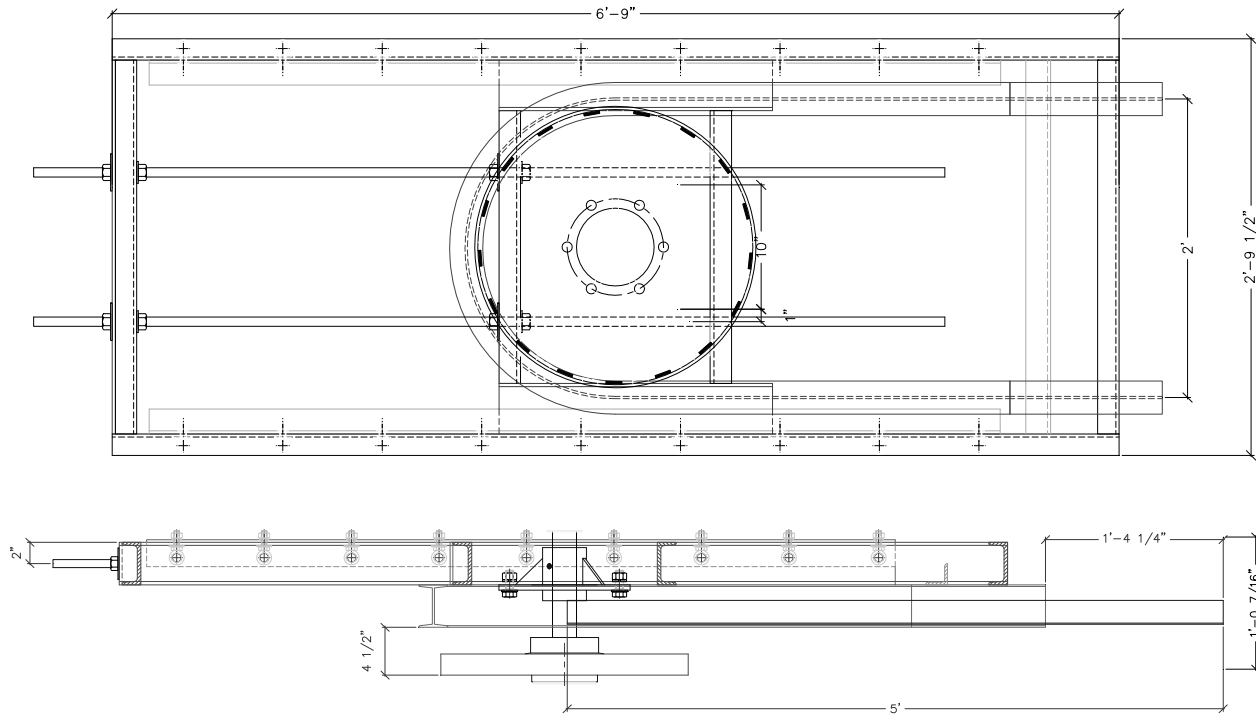


# 458 CHAIN TAKE UP ASSEMBLY



## Take Up Assembly

458 Roller I Beam

Part # 458019

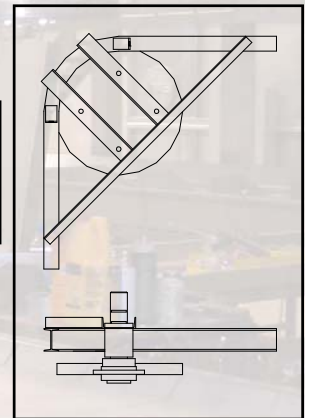
### Note

take up assy does not include traction wheel and bearing unless specified. See pricing below.

## Corner Assy 458 Chain

PN# 458038

Includes Traction Wheel and Dodge #70 Bearing



24" Traction wheel with Dodge #70 6 bolt Bearing assembled

PN# 458020

24" Traction wheel only

PN# 280212

#70 6 Bolt Bearing only